

Guidelines for Using the UMTRI ATD Positioning Procedure for ATD and Seat Positioning

Version VI

December 2022



Insurance Institute for Highway Safety

988 Dairy Road

Ruckersville, VA 22968

researchpapers@iihs.org

+1 434 985 4600

iihs.org



CONTENTS

DOCUMENT REVISION HISTORY	3
OVERVIEW	4
Electronic spreadsheets	4
Coordinate system definition.....	5
POSITIONING PROCEDURE.....	6
1. Establish the pedal reference point	6
2. Establish the steering wheel center point.....	7
3. Define seat travel range.....	8
4. Conduct initial H-point measurement.....	9
5. Position the seat for testing.....	11
6. Final positioning of ATD in seat.....	12
7. Seat belt positioning.....	16
REFERENCE.....	16
APPENDIX	17
Calculations for determining UMTRI position	17

DOCUMENT REVISION HISTORY

Version VI (December 2022) of the procedure differed from Version V (December 2004) in that it included instruction for placement of the shoulder belt on the dummy's chest.

Version V (December 2004) of the procedure differed from Version IV (April 2004) in that a method of establishing a coordinate system for use with a coordinate measurement machine is specified. Greater detail has been added to the procedure for adjusting seatpan height in step 4.

Version IV (April 2004) of the procedure differed from Version III (October 2003) in several ways. A slightly different left foot placement is prescribed for 5th percentile female ATDs and for male ATDs (50th and 95th percentile) when the foot cannot be placed as described in step 6.4.4. Also, a worksheet has been added to the Excel workbook template. The Seatpan Adjustment worksheet has been added to help the user adjust the seatpan cushion to the mid-height position as specified in step 4.2. To decrease measurement errors with a coordinate measurement machine, a maximum measurement tip size has been specified. Finally, the thigh length specified for the H-point machine in step 4.3 has been changed from the 50th percentile setting down to the 10th percentile setting. This change was implemented to prevent contact between the H-point machine knee and knee bolsters in some vehicles when the thigh length is set to the 50th percentile setting.

Version III (October 2003) of the procedure differed from Version II (September 2003) in that it does not require manual determination of the pedal reference point. Instead, the pedal reference point is calculated automatically from coordinates that define the shape of the accelerator pedal. In addition, a change has been made to the initial thigh-to-lower-leg angle specification for 50th and 95th percentile male ATDs. This step was found to be necessary only for positioning 5th percentile female ATDs, where the thigh length often is shorter than the seat cushion length, thereby requiring an initial lower leg angle to ensure a consistent fore-aft position of the dummy on the seat cushion.

Version II (September 2003) of this procedure differed from Version I (January 2003) in that it defined specific positions for seatpan cushions that move independently of seat.

The January 2003 revision of this procedure differed from the preceding version (July 2002) in that the ATD torso recline angle specification now has positioning priority over the pelvic angle specification in cases when both requirements cannot be met.

OVERVIEW

These guidelines provide a simplified method of applying the University of Michigan Transportation Research Institute (UMTRI) anthropometric test device (ATD) positioning procedure that will be used by the Insurance Institute for Highway Safety for positioning the driver ATD in side impact and frontal crash tests. This procedure is based on the original ATD positioning procedure by Reed et al. (2001) but differs slightly in the following forms:

- Additional steps to the procedure improve repeatability and reproducibility. Several of these steps include positioning tolerances that are used during the initial H-point measurement as well as the final positioning of the ATD; and
- In the original procedure, mathematical formulae were provided to determine the UMTRI H-point position and final seat position. This procedure simplifies the process by using an Excel spreadsheet to automatically calculate the UMTRI H-point and seat position.

Electronic spreadsheets

To determine the UMTRI H-point position for the driver ATD and the seat adjustments needed to support the ATD properly in the UMTRI position, it will be necessary to download an Excel workbook template (*ATD_positioning_template.xlt*) from the Institute's website, <http://www.iihs.org/ratings/protocols/default.html>. The workbook contains the calculations needed to determine the UMTRI position; calculations are presented in the Appendix. For the workbook to function properly, macros must be enabled. Upon opening the workbook, a form is opened that prompts the user for the following: ATD size for which the UMTRI position is being calculated; vehicle model year, make, and model; and basic seat and accelerator pedal information.

The Excel workbook template contains five worksheets and one chart, which are referred to throughout the procedure. The following describes the purpose of the worksheets and chart.

Seat Information – This worksheet is used to indicate the size of ATD for which the UMTRI position will be determined. It also is used to document, for future reference, the type of seat in the vehicle being measured. This is important because many vehicles available with both manual and electric seats often do not have similar adjustment ranges (horizontally and vertically), which can result in different UMTRI seating positions. This worksheet also contains information that describes the pedal shape (flat vs. curved). The only user inputs required are in the cells labeled as “Manually Entered Data.”

Seatpan Adjustment – This worksheet is used only for seats that do not have a vertical height adjustment that moves the seatpan together with the seatback, but do have an independent height adjustment for the seatpan cushion. This worksheet helps the user adjust the seatpan cushion to its mid-height position as specified in step 4.1.2.

CMM Data – This worksheet is used to enter the data obtained with a coordinate measurement machine (CMM). CMM data should only be entered in cells labeled as “CMM Data.” Instructions on taking the measurements are provided in the procedure.

Note: To increase measurement accuracy, it is recommended that the maximum measurement tip size be no greater than a 3-mm ball tip. For the greatest measurement accuracy, a point tip is recommended.

Seat Range Calculations – This worksheet requires no user input. It uses data entered in the *CMM Data* worksheet to establish a relationship between the seat reference points and the H-point. It then uses the travel path of these points to establish an H-point travel path.

UMTRI Calculations – This worksheet uses data from the *CMM Data* and *Seat Range Calculations* worksheets to calculate the UMTRI H-point position.

Final H-Point and Seat Position – This worksheet shows the calculated UMTRI H-point position and the seat fore-aft and vertical positions required to obtain the correct H-point position. It also contains several cells that aid the user in positioning the ATD torso recline angle.

Seat Chart – This worksheet provides a graphical representation of the seat and H-point travel path, along with the calculated UMTRI H-point location.

Coordinate system definition

For the calculations to work properly, the data entered into the worksheets must adhere to the following coordinate system: X is positive toward the rear of the vehicle, Z is positive in the upward direction. The precrash coordinate system is defined with the vehicle unloaded (no occupants) on a level floor. The plane of the ground is used to define the X-Y plane, and the two end points on the centerline of the roof are used to define the X-axis.

POSITIONING PROCEDURE

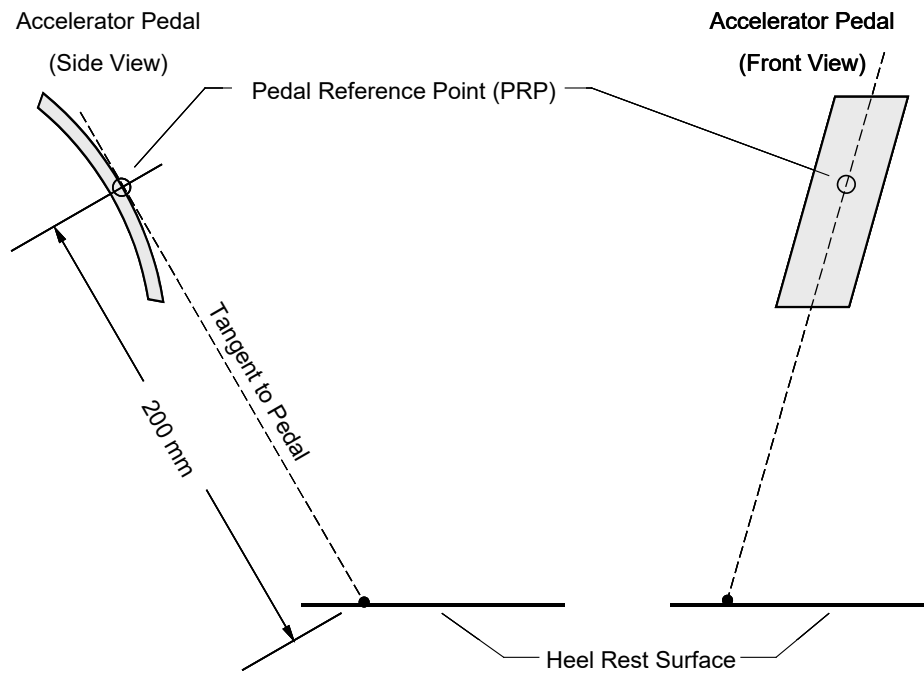
With the Excel workbook template open, complete the information in the user form, then click on the *Continue* button. Confirm that the information in the *Seat Information* worksheet is correct, then continue with the positioning procedure.

1. Establish the pedal reference point

The pedal reference point (PRP) is a point on the accelerator pedal from which fore-aft dimensions are measured in the UMTRI calculations. The PRP is defined in side view using the midline contour of the accelerator pedal (Figure 1). The PRP lies on the surface of the pedal at the lateral midline and is 200 mm from the heel rest surface (floormat). The heel rest surface is the horizontal plane on the floormat passing through the H-point manikin (or ATD) heel point when the foot is on the pedal. The coordinates of the PRP are calculated automatically in the *CMM Data* worksheet, but first several points must be measured on the accelerator pedal and the heel rest surface as follows:

- 1.1. If the vehicle has an accelerator pedal with fore-aft adjustment, adjust the pedal to its forwardmost position.
- 1.2. Place masking tape or some other markable material on the accelerator pedal surface. Mark a line defining the lateral center of the pedal. If the pedal is inclined in the plane perpendicular to the surface (e.g., if the top of the pedal is inboard of the bottom of the pedal), make the line pass through the lateral center of the pedal at each vertical level. The PRP is used for fore-aft reference dimensions only, so the lateral position of the pedal centerline is important only as it affects the fore-aft position of the PRP.
- 1.3. Enter the coordinates of three points on the pedal centerline (close to the top, middle, and bottom of the pedal) into the appropriate cells of the *CMM Data* worksheet.
- 1.4. Enter the coordinates of two heel rest surface points into the appropriate cells of the *CMM Data* worksheet. The heel rest surface points should be measured with the floormat installed and should lie below and slightly rearward of the accelerator pedal with a minimum distance of 50 mm between them.

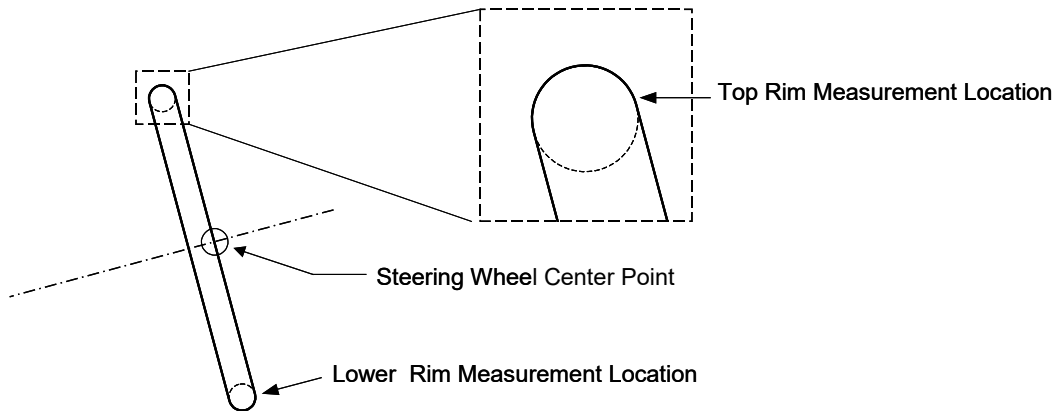
Figure 1
Pedal reference point definition



2. Establish the steering wheel center point

- 2.1. The location of the steering wheel center point is determined with the steering wheel at the center of its tilt adjustment range. If there is no setting detent at the mid position, lower the steering wheel to the detent just below the mid position.
- 2.2. If the steering column has a telescope, adjustment should be positioned as follows:
 - 2.2.1. For the 5th percentile female ATD, adjust the steering column to its full-forward position (untelescoped).
 - 2.2.2. For 50th and 95th percentile male ATDs, adjust the steering column to the middle of its telescoping range.
- 2.3. The steering wheel center point is defined as the intersection between the pivot axis of the steering wheel and the plane tangent to the driver side of the steering wheel rim. To locate this point:
 - 2.3.1. Measure the locations of points on the steering wheel rim at the top and bottom of the wheel with the wheel in the neutral position (Figure 2).
 - 2.3.2. Turn the steering wheel 180 degrees and record the positions again.

Figure 2
Steering wheel center point calculated from measured point locations on wheel rim



Enter the coordinates of the steering wheel points into the appropriate cells of the *CMM* Data worksheet. The steering wheel center point will automatically be calculated from the spatial average of the points recorded in steps 2.3.1 and 2.3.2.

3. Define seat travel range

- 3.1. The objective of this step is to define the full range of available seat position adjustments. For manual seats the full-forward locking position is considered notch 1. For this procedure, the seat's range of motion is limited to adjustment of the seat (fore-aft and vertical) in which the seatpan cushion moves together with the seatback. If the seatpan cushion moves independently of the seatback and frame, the independent movement of the seatpan should not be considered in defining the seat travel range.
 - 3.1.1. Use the seat controls to place the seat in the full-down, full-rear position. Record the locations of two seat-frame reference points. Ideally, these points will be bolt heads or some other well-defined reference points, one near the front (seat reference point 1) and one near the rear of the seat frame (seat reference point 2). It is useful to move the seat on all its adjustment axes while selecting these points to ensure they are fixed with respect to the seat cushion; however, they should not be on the cushion itself.
 - 3.1.2. With the seat in its full-down position, use the adjuster to move the seat to its full-forward position. Record the reference point locations.
 - 3.1.3. With the seat in its full-forward position, use the height adjuster to raise the seat to its full-up position. Some seats allow further forward adjustment when the seat is in the full-up position. If possible, use the adjuster to move the seat farther forward. Record the reference point locations.
 - 3.1.4. With the seat in its full-up position, move the seat to its full-rear position. Record the reference point locations.

- 3.2. Enter the data points recorded in step 3.1 into the appropriate cells of the *CMM Data* worksheet. For seats without vertical adjustment, copy the full-down coordinates into the full-up locations for both seat reference points.

4. Conduct initial H-point measurement

- 4.1. The H-point measurement should be conducted with the seat in the middle of the fore-aft seat adjustment range. If an adjustment position does not exist midway between the forwardmost and rearmost positions, the closest adjustment to the rear of the midpoint is used. If the seat is vertically adjustable, it should be placed in its full-down position. If the seatpan cushion has fore/aft adjustment that is independent of the seatback and frame, it should be placed in its rearmost position. If the seatpan also moves vertically independently of the seatback, adjust the seatpan to the appropriate position as described below:
- 4.2. Define seatpan height adjustment range (if applicable)
 - 4.2.1. If the seat also can be adjusted such that the seatpan cushion and seatback move together vertically, place the seatpan in the lowest vertical position.
 - 4.2.2. If the seatpan adjustment only tilts the front of the cushion upwards (i.e., if the seating height of an occupant would not change due to this adjustment), leave the tilt adjustment in the lowest position
 - 4.2.3. If the seat does not have an additional adjustment feature that simultaneously moves the seatpan and seatback vertically, place the seatpan cushion in the middle of its vertical height adjustment range as follows (the *Seatpan Adjustment* worksheet can be used as an aid for setting the seatpan height):
 - 4.2.4. Adjust the seatpan to its lowest position. Locate and record the forwardmost point on the center of the leading edge of the seat cushion (seatpan point 1). Locate and record a second point (seatpan point 2) 400 mm rearward of pan point 1 in the X-direction while keeping the Y-coordinate constant.
 - 4.2.5. Single control seatpan height
 - 4.2.5.1. Raise the seatpan to its highest position and record seatpan point 2. Lower the seatpan adjustment until seatpan point 2 is in the middle of its vertical adjustment range.
 - 4.2.6. Multiple control seatpan height
 - 4.2.6.1. The seat cushion angle is established in step 4.2.4.
 - 4.2.6.2. While leaving the front seatpan adjustment in its lowest position, adjust the rear seatpan to its highest vertical adjustment. Record the coordinates of seatpan point 2. Using the seatpan adjustment, lower seatpan point 2 to the middle of its vertical range (the target location is automatically calculated in the *Seatpan Adjustment* worksheet).

- 4.2.6.3. Using only the front seatpan adjustment, move the seatpan upwards until the seat cushion angle matches the seat cushion angle that was measured in step 4.2.4. If the front adjustment range is not large enough to achieve the seat cushion angle measured in step 4.2.4, place the front adjustment in the position that most closely matches the target seat location.

Note: After completing step 4.2, a seatpan that moves independently of the seatback should not be moved for the remainder of the seating procedure. From this point forward, all references to fore-aft and vertical seat movement refer to adjustments where the seatback and seatpan move together.

- 4.3. Determine the initial H-point location according to the current procedure outlined in SAE J826 except that the length of the lower leg and thigh segments of the H-point machine shall be adjusted to the 50th percentile (418 mm) and 10th percentile (408 mm) positions, respectively. Initially set the seatback at an angle that corresponds to a 23-degree manikin torso angle (as measured by the SAE J826 H-Point manikin) or to that specified by the manufacturer. If the seat has a two-point articulating seatback, adjust the upper portion of the seatback to its mid-tilt position, then adjust the lower tilt adjustment to an angle that corresponds to a 23-degree manikin torso angle or to that specified by the manufacturer. If the seatback also has an adjustable lumbar support or adjustable lateral bolsters, place their adjustments in the lowest or most retracted position.
- 4.4. Use a CMM to record the initial H-point location along with the two reference points described above (Step 3.1.1).
- 4.5. Enter the coordinates of the H-point and seat reference points 1 and 2 into the appropriate cells of the *CMM Data* worksheet.
- 4.6. If the seat has a manual fore-aft adjustment and an even number of adjustment positions, adjust the seat forward one position and use a CMM to record the coordinates of seat reference points 1 and 2 and enter them into appropriate cells of the *CMM Data* worksheet. Confirm that no errors are reported within the *CMM Data* worksheet.

If the “Midpoint Discrepancy” message is displayed, the midtrack position calculated using the entire track range does not match the midtrack position (to within ± 2 mm) obtained by averaging the measures of seat reference point 2 obtained in steps 4.3 and 4.6. This is due to either a miscount of the initial number of seat locking positions or an incorrect initial adjustment of the seat. This can be confirmed by comparing the amount of seat fore-aft travel per adjustment indicated in the *Seat Information* worksheet (labeled as “Movement per Notch”) to the actual amount of fore-aft travel measured when the seat was moved between steps 4.3 and 4.6. If the seat was in the wrong position during the initial H-point measurement, adjust the seat to the correct position and repeat steps 4.1 through 4.6.

- 4.7. Additional measurement: Record the position of the H-point relative to another point on the vehicle. Typically the front, middle edge of the door striker is used. This measurement is not necessary for the calculation of the UMTRI seat position, but is used for reference in positioning of the test manikin in the vehicle.

5. Position the seat for testing

Using the data entered into the *CMM Data* worksheet, the *UMTRI Calculations* worksheet determines the ATD's H-point location with respect to the PRP (X-axis origin) and heel rest surface (Z-axis origin), as well as the original coordinate system. The *UMTRI Calculations* worksheet also shows the amount of seat movement required (from true midtrack) to achieve the UMTRI position. The *Final H-Point and Seat Position* worksheet shows the final coordinates of the H-point and seat reference points 1 and 2. The final seat positioning proceeds as follows:

5.1. Seats with electric adjustment.

- 5.1.1. Adjust the fore-aft position until the X-axis coordinate of seat reference point 2 matches its calculated UMTRI position shown in the *Final H-Point and Seat Position* worksheet.
- 5.1.2. Adjust the seat vertically (if applicable) until the Z-axis coordinate of seat reference point 2 matches its calculated UMTRI position in the *Final H-Point and Seat Position* worksheet. If the seat controls adjust the front and rear seat heights independently, they should be adjusted so that both seat reference points 1 and 2 match their calculated UMTRI positions. If it is not possible to place both seat reference points to within ± 2 mm of their calculated X- and Z-axis locations, adjust the seat so that seat reference point 2 is closest to its calculated location.
- 5.1.3. Using a CMM, record the position of seat reference point 2. If the measurement does not match the UMTRI position from the *Final H-Point and Seat Position* worksheet, repeat steps 5.1.1 and 5.1.2 until seat reference points 1 and 2 are within ± 2 mm of their calculated X- and Z-axis locations.
- 5.1.4. Using a CMM, record the final positions of seat reference points 1 and 2 and enter them into the appropriate cells of the *Final H-Point and Seat Position* worksheet.

5.2. Seats with manual adjustment.

- 5.2.1. Adjust the fore-aft position of the seat to a locking position that places the X-axis coordinate of seat reference point 2 closest to its calculated UMTRI position shown in the *Final H-Point and Seat Position* worksheet.
- 5.2.2. Adjust the seat vertically (if applicable) until the Z-axis coordinate of seat reference point 2 matches its calculated UMTRI position shown in the *Final H-Point and Seat Position* worksheet. If the seat controls adjust the front and rear seat heights independently, they should be adjusted to the position that places both seat reference points (1 and 2) closest to their calculated UMTRI positions shown in the *Final H-Point and Seat Position* worksheet. If it is not possible to place both seat reference points to within ± 2 mm of their calculated X- and Z-axis locations, adjust the seat so that seat reference point 2 is closest to its calculated location.

6. Final positioning of ATD in seat

- 6.1. Initially set the seatback to the position specified in step 4.3.
- 6.2. Place the ATD into the seat.
 - 6.2.1. For bucket seats, center the ATD on the seat cushion so that its midsagittal plane is vertical and coincides with the vertical longitudinal plane through the center of the seat cushion.
 - 6.2.2. For bench seats, position the midsagittal plane of the ATD vertical and parallel to the vehicle's longitudinal centerline and aligned with the center of the steering wheel rim.
- 6.3. Establish dummy's fore-aft position in the seat.
 - 6.3.1. For 5th percentile female ATDs, adjust as follows:
 - 6.3.1.1. Place the lower legs at approximately 120 degrees to the thighs. If contact occurs between the back of the ATD's calves and the front of the seat cushion, the ATD should be moved forward until there is no contact at the 120-degree angle.
 - 6.3.1.2. Place the legs at 120 degrees to the thighs. Push rearward on the ATD's knees to force the pelvis into the seat so there is no gap between the pelvis and the seatback or until contact occurs between the back of the ATD's calves and the front of the seat cushion.
 - 6.3.2. For 50th and 95th male ATDs, extend the legs forward and allow them to fall freely. Adjust the dummy's fore/aft position in the seat until the H-point matches the UMTRI calculated position shown in the *Final H-Point and Seat Position* worksheet. Rearward adjustment of the ATD should be limited to the point where there is no gap between the pelvis and the seatback.
- 6.4. Driver leg and foot positioning.
 - 6.4.1. Rest the ATD's thighs against the seat cushion and set the ATD's knees as follows:
 - 6.4.1.1. For 5th percentile female ATDs, set the *minimum* initial transverse distance between the longitudinal centerline of the ATD's knees at 160 mm (6.3 in.), with the thighs and lower legs of the ATD in vertical planes.
 - 6.4.1.2. For 50th and 95th percentile male ATDs, set the *minimum* initial transverse distance between the outside flanges of the knees at 270 mm, with the thighs and lower legs of the ATD in vertical planes.
 - 6.4.2. For the right foot position, if the vehicle has an accelerator pedal with fore-aft adjustment, the pedal should be adjusted to its forwardmost position.

6.4.3. Rest the right foot of the ATD on the undepressed accelerator pedal, with the rearmost point of the heel on the floorpan in the plane of the pedal. If the foot cannot be placed on the accelerator pedal, set it initially perpendicular to the lower leg and then place it as far forward as possible in the direction of the pedal centerline, with the rearmost point of the heel resting on the floorpan. If the ball of the foot does not contact the pedal, change the angle of the foot relative to the lower leg such that the toe of the foot contacts (or is in the position closest to contacting) the undepressed accelerator pedal. The angle between the foot and the lower leg should not be less than 90 degrees. If the vehicle has an accelerator pedal with fore-aft adjustment and the right foot does not contact the pedal, the pedal should be adjusted rearward until the sole of the right foot overlaps the pedal surface by at least 20 mm.

6.4.4. Left foot position.

A footrest is the particular part of the toepan generally identified by a surface treatment different from the surrounding toepan and floor. The two most common examples are a vinyl/rubber patch in the carpet that overlays a flat spot at the outboard side of the toepan, and a plastic or metal construct attached to the toepan with a flat tread surface oriented similar to the accelerator and brake pedals. A flat spot at the outboard side of the toepan not identified by a different surface treatment will not be considered a footrest, unless there is an underlying raised structure (metal or hard plastic) at that location.

6.4.4.1. Left foot positioning guidelines for vehicles with a footrest: Position the ATD's left foot as far forward on the footrest unless:

no part of the forefoot is touching the footrest, or

more than 30 mm of the medial sole of the ATD's shoe measured at the location of the ball of the foot is not directly over the footrest, or

the ATD's leg/foot will not stay unaided in a position with the foot on the footrest and the leg in a vertical plane with the *minimum* knee-to-knee distance specified in step 6.4.1.

If neither condition above can be met, then slide the foot rearward on the footrest to meet the conditions above. If the conditions still cannot be met, then position the left foot on the most outboard flat surface of the toepan that is inboard of the footrest unless:

the toepan is too far forward to rest the bottom of the foot on it, or

the foot is under the brake pedal, or

the ATD's leg/foot will not stay unaided in a position with the leg in a vertical plane with the *minimum* knee-to-knee distance specified in step 6.4.1.

If neither positioning method above can be achieved, then position the ATD's left foot as follows:

For the 5th percentile female ATD, position the left foot flat on the horizontal part of the floor, with the toes at the corner between the floor and toepan or as far forward as possible while

keeping the left knee at the same height as the right knee and with the leg in a vertical plane with the *minimum* knee-to-knee distance specified in step 6.4.1.

For the 50th and 95th percentile male ATDs, position the left foot flat on the horizontal part of the floor, with the toes at the corner between the floor and toepan or as far forward as possible while keeping the leg in a vertical plane with the *minimum* knee-to-knee distance specified in step 6.4.1.

6.4.4.2. Left foot positioning guidelines for vehicles without a footrest: Position the ATD's left foot on the most outboard flat surface of the toepan while maintaining the knee-to-knee distance specified in step 6.4.1 unless:

the toepan is too far forward to rest the bottom of the foot on it, or

the foot is under the brake pedal, or

the ATD's leg/foot will not stay unaided in a position with the leg in a vertical plane with a *minimum* knee-to-knee distance specified in 6.4.1.

If neither positioning method above can be achieved, then position the ATD's left foot as follows:

For the 5th percentile female ATD, position the left foot flat on the horizontal part of the floor, with the toes at the corner between the floor and toepan or as far forward as possible while keeping the left knee at the same height as the right knee and with the leg in a vertical plane with the *minimum* knee-to-knee distance specified in step 6.4.1.

For the 50th and 95th percentile male ATDs, position the left foot flat on the horizontal part of the floor, with the toes at the corner between the floor and toepan or as far forward as possible while keeping the leg in a vertical plane with the *minimum* knee-to-knee distance specified in step 6.4.1.

6.5. Fully recline the seatback.

6.6. Hold the ATD's thighs down and push rearward on the upper torso to maximize the ATD's pelvic angle.

6.7. While holding the thighs in place, rotate the ATD torso forward until the torso recline angle (the angle of a side view line from the ATD H-point to the head's center of gravity) is set to 12 ± 1 degrees. The H-point and head center of gravity coordinates can be entered into the appropriate cells in the *Final H-Point and Seat Position* worksheet, where the torso recline angle is automatically calculated. While supporting the ATD, rotate the seatback forward until the ATD torso is supported in the 12-degree torso recline position.

6.8. Gently rock the upper torso relative to the lower torso laterally in a side-to-side motion three times through a ± 5 -degree arc (approximately 50 mm side to side) to reduce friction between the ATD and the seat.

6.9. Reposition feet if necessary.

6.10. Check foot position. If the right foot does not reach the accelerator pedal or if the heel does not touch the ground, adjust the seat in the following manner:

- 6.10.1. Adjust the seat forward at increments of one locking position (manual seats) or 10 mm (power seats) until the sole of the right foot overlaps the pedal surface by at least 20 mm, as measured along the plane of the bottom of the foot. This is done with the ATD's right foot and lower leg in the forwardmost stretched position.
- 6.10.2. If the heel of the foot is not resting on the heel rest surface (floormat), lower the seat vertically at 5-mm increments until contact is made. If the seat has independent front and rear height adjustments, they must both be adjusted equally to ensure the seatpan angle does not change. If the seat is in its lowest position and the foot still cannot contact the heel rest surface, no further adjustment of the seat or ATD should be attempted.
- 6.11. Measure the ATD's pelvic angle. The angle should be set to 20 ± 2.5 degrees for 5th percentile female ATDs and 22.5 ± 2.5 degrees for 50th and 95th percentile male ATDs.
 - 6.11.1. If the ATD's pelvic angle is within the specified range, continue to step 6.12. If the ATD's pelvic angle is above or below the specified range, the torso recline angle can be adjusted up to ± 1 degree from the 12-degree position to increase or decrease the pelvic angle. If after adjusting the torso recline angle the pelvic angle is still not within the specified range, no further adjustment of the ATD should be attempted.
- 6.12. Measure the head transverse instrumentation platform angle. The angle should be level to within ± 0.5 degrees. Adjust the lower neck nodding joint to level the head. If it is not possible to achieve the head level within ± 0.5 degrees, minimize the angle.
- 6.13. Measure the ATD's torso recline angle (the angle of a side view line from the ATD H-point to the head's center of gravity). The angle should be set to 12 ± 1 degrees. If the torso recline angle is within the specified range, proceed to step 6.14.
 - 6.13.1. If the measured torso recline angle is below the specified range, recline the seatback one adjustment position (for seats with manual seatback controls) or 2 degrees (for seats with electric seatback controls). Hold the ATD's thighs down and push rearward on the upper torso to increase the ATD's torso recline angle. Measure the torso recline angle. Repeat this step until the torso recline angle is within the specified range. Return to step 6.12.
 - 6.13.2. If the measured torso recline angle is above the specified range, hold the ATD's thighs and rotate the torso forward until the torso recline angle is within the specified range. If the ATD's torso is not supported, adjust the seatback forward at increments of one adjustment position (for seats with manual seatback controls) or 2 degrees (for seats with electric seatback controls) until the torso is fully supported in the new position. Measure the torso recline angle. Repeat this step until the torso recline angle is within the specified range. Return to step 6.12.

Note: If the torso recline angle, head transverse instrumentation platform angle, and pelvic angle requirements cannot all be met, priority should be given to the torso recline angle, followed by the head transverse instrumentation platform angle.

6.14. Using a CMM, record the final positions of the ATD H-point and seat reference points 1 and 2 and enter them into the appropriate cells of the *Final H-Point and Seat Position* worksheet.

6.15. Position ATD arms and hands.

6.15.1. For ATDs with full arms (e.g., Hybrid III), place hands on the 9 and 3 o'clock positions of the steering wheel. If the steering wheel rim has a telescoping adjustment range and the ATD's hands cannot reach the steering wheel, adjust the steering column rearward (if applicable) until the hands reach the steering wheel rim.

6.15.2. For ATDs with half arms (BioSID, EuroSID-1, EuroSID-2, and SID-IIs), adjust the upper arm to the stop position 45 degrees forward of the neutral (down) position.

7. Seat belt positioning

7.1 The driver seat belt is fastened around the dummy. For vehicles with continuous-loop lap/shoulder seat belts, the slack from the lap portion of the driver seat belt is removed and the webbing is pulled fully out of the retractor and allowed to retract under tension a total of three times. The lap belt slack is then removed again with a small pulling force. For vehicles with separate lap and shoulder seat belt retractors, the webbing from each is pulled fully out of the retractor and allowed to retract under tension a total of three times.

REFERENCE

Reed, M. P., Manary, M. A., Flannagan, C. A. C., Schneider, L. W., & Arbelaez, R. A. (2001). *Improved ATD positioning procedure* (SAE Technical Paper Series 2001-01-0117). Society of Automotive Engineers.

APPENDIX: CALCULATIONS FOR DETERMINING UMTRI POSITION

The following calculations are used by the Excel workbook template (*ATD_positioning_template_v4.xlt*) to determine the UMTRI H-point. When using these calculations to independently verify the UMTRI position, the H-point and vehicle measurements must be conducted as described in the procedures above. The measurement locations used for the UMTRI calculations are illustrated in Figure A1.

Coordinate system orientation: X+ toward rear of vehicle, Z+ upwards.

1. Calculate the seat track rise $r = \Delta Z/\Delta X$:

$$r = \frac{HPtFz - HPtRZ}{HPtRX - HPtFX}$$

where

HPtRZ is the vertical coordinate of the rear of the mid-height H-point travel path with respect to the heel rest surface,

HPtRX is the horizontal coordinate of the rear of the mid-height H-point travel path with respect to PRP,

HPtFZ is the vertical coordinate of the front of the mid-height H-point travel path with respect to the heel rest surface, and

HPtFX is the horizontal coordinate of the front of the mid-height H-point travel path with respect to PRP.

The seat track rise r should be zero or positive, indicating the increase in H-point height for each unit of forward movement of the seat along the mid-height H-point travel path. The H-point travel path is based on the relative position of the H-point with respect to the two seat reference points, with the seat in the midtrack and full-down position.

2. Calculate seat H-point location for testing:

The fore-aft H-point location (X coordinate) aft of the PRP to be used for ATD testing is given by

$$HPtX(\text{mm aft of PRP}) = -15.0 + 0.433S + 0.41W - \frac{0.24}{1 - 0.3943r} (HPtRZ + r(HPtRX - 1054))$$

where

S is the ATD reference stature (see below), and

W is the fore-aft distance between the PRP and steering wheel center point.

S is set to:

1511 mm for the 5th percentile adult female ATD,

1753 mm for the 50th percentile adult male, and

1870 mm for the 95th percentile adult male.

For seats with vertical adjustment, the vertical position of the seat H-point location used for testing is given by

$$HPtZ(mm) = HPtRZ + r (HPtRX - HPtX)$$

i.e., the location along the mid-height H-point travel path that lies *HPtX* mm rearward of PRP.

Figure A1
H-point travel range and other measurement locations used in UMTRI positioning procedure

